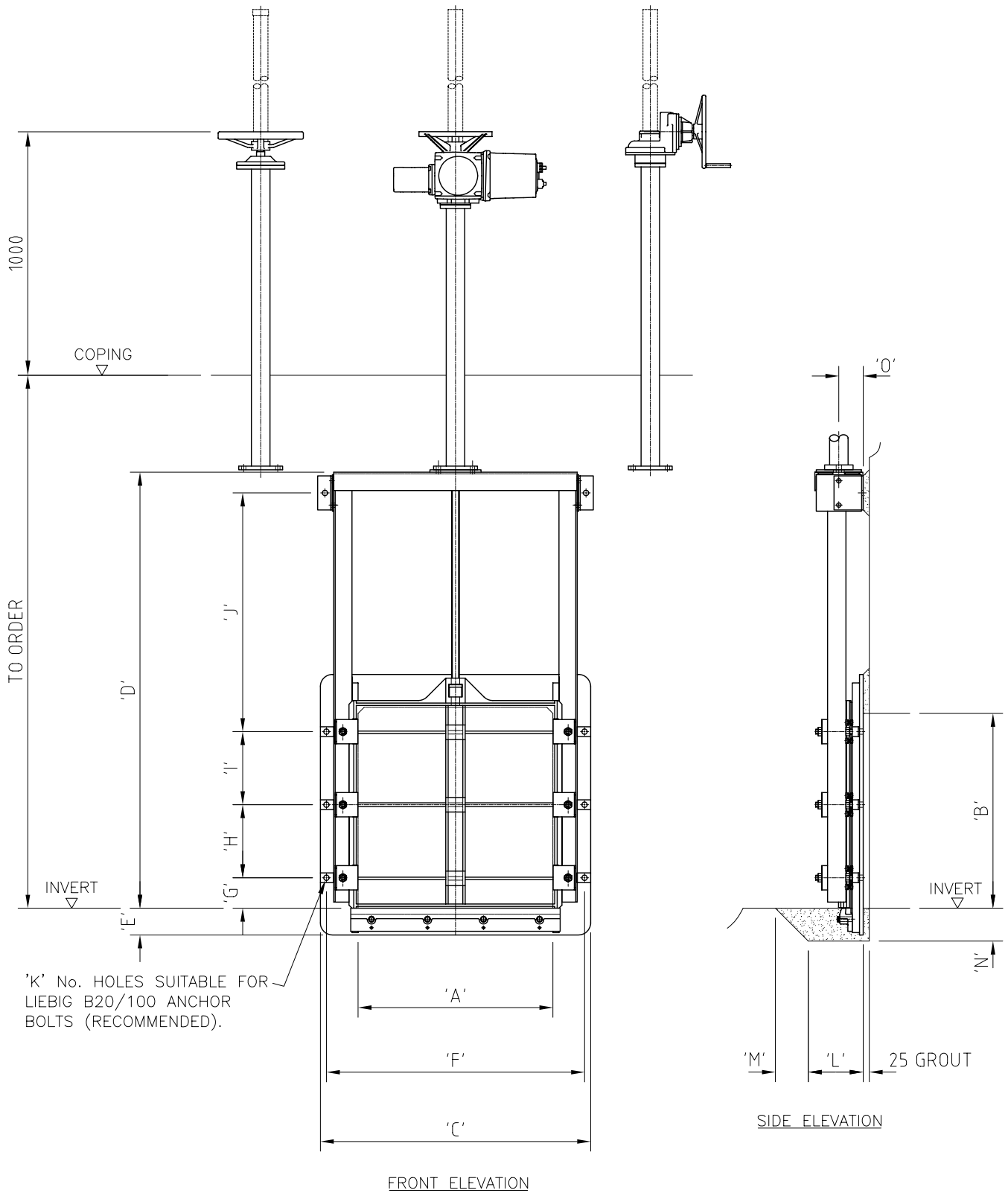


CAST IRON WALL FIXING PENSTOCK – FLUSH INVERT WITH THRUST TUBE



PENSTOCK DIMENSION TABLE

SIZE	'A'	'B'	'C'	'D'	'E'	'F'	'G'	'H'	'I'	'J'	'K'	'L'	'M'	'N'	'O'
700	700	700	1010	1590	110	960	125	500	—	880	6	225	135	135	100
750	750	750	1110	1790	110	1060	125	300	300	980	8	225	135	135	100
800	800	800	1110	1790	110	1060	125	300	300	980	8	225	135	135	100
900	900	900	1210	1990	110	1160	125	350	350	1080	8	225	135	135	100
1000	1000	1000	1310	2190	110	1260	125	400	400	1180	8	225	135	135	100
1200	1200	1200	1510	2630	110	1460	125	500	500	1420	8	225	135	135	110



MIDLAND VALVES

UNIT 42 CROSSGATE ROAD
PARK FARM IND EST
REDDITCH, WORCESTERSHIRE
B98 7SN

SUPPLIERS OF
PENSTOCKS TO THE
WATER INDUSTRY

TELE: 01527 517542
FAX: 01527 518087
e-mail: mike@midlandvalves.fsnet.co.uk

Due to our continuous product development policy we reserve the right to modify designs or dimensions