



SUPPLIERS OF PENSTOCKS TO THE WATER INDUSTRY

# Series CM - 20

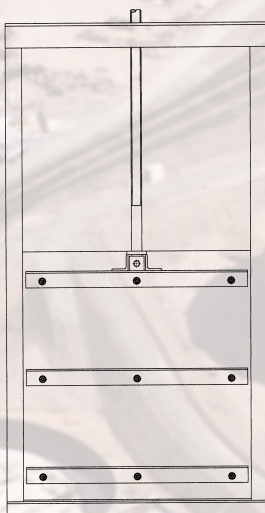
## CHANNEL MOUNTING PENSTOCKS

### 150mm Square to 850mm Square Apertures

The series CM - 20 is a light duty range of penstocks suitable for the control and isolation of water and sewage. The range of penstocks are provided with side and invert seals for on and off-seating heads upto door depth.

#### Advantages

- Lightweight design - reduced weight when compared to the cast iron equivalent offers easier handling, installation and reduced civil work
- Low friction seals ensures operator sizes are kept to a minimum significantly reducing operating costs
- Available in corrosion resistant materials:
  - Long Life Performance
  - Low Maintenance Costs
  - No protective Coatings Required
- Flush invert design avoids pockets in channel floor
- Compact design minimises side and invert rebate sizes
- Flexible design and manufacturing methods provide several alternative options to conventional mounting of channel type penstocks
- Robust construction
- A cost effective solution for high duty applications



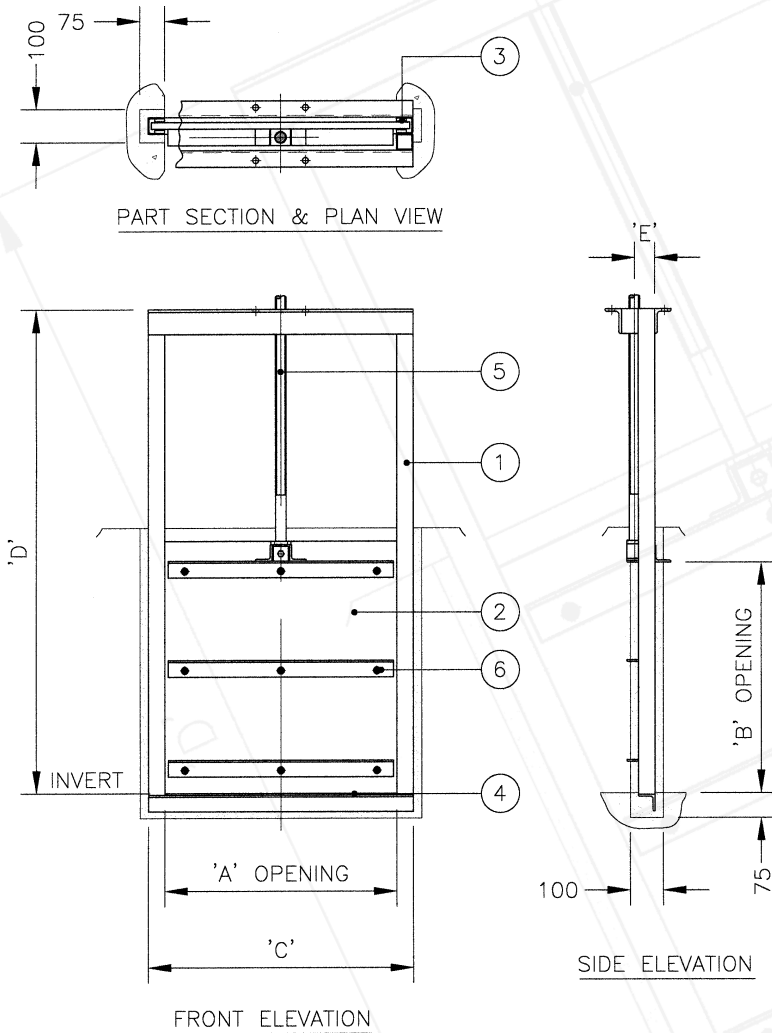
#### Features

- On and off-seating heads upto top of door
- Thrust transmitting yoke available at top of frame
- Rising or non-rising spindle applications for use with our extensive range of operating equipment
- Meets the requirements of BS7775 and DIN 19569-4 Penstocks Standards

# Specifications

## SERIES CM - 20 CHANNEL MOUNTING PENSTOCKS

Size Range: 150mm Square to 850mm Square Apertures



The table opposite illustrates a small section of the size range. Any size between 150mm and 850mm is available on request.

### Operating Duty

Application:	Flow control and isolation
Type of Mounting:	Side and invert rebates
Type of Media:	Water and Sewage
Operating Head:	Up to top of door
Direction of Flow:	On and Off-Seat

### Options

Mounting:	Side wall mounted in channel
Stem Types:	Rising and non-rising
Size Range:	Any size from 150mm to 850mm in square or rectangular format

### Applicable Standards

BS 7775:1995, Specification for general purpose penstocks

### Construction Materials

ITEM	DESCRIPTION	MATERIAL
1	Frame	Mild Steel, BS 4360 Gr 43A Stainless Steel, BS 970 Gr 304 Stainless Steel, BS 970 Gr 316
2	Door	HMWP with Reinforcement
3	Side Seals	Low Friction Polyolefin
4	Invert Seal	Neoprene
5	Stem	Stainless Steel, BS 970 Gr 304 Stainless Steel, BS 970 Gr 316
6	Fasteners	Stainless Steel, BS 6105, Gr A4

### Dimensions and Weights

'A'	'B'	'C'	'D'	'E'	WEIGHT (KG)
150	150	300	470	60	11
200	200	350	570	60	15
250	250	400	670	60	19
300	300	450	770	60	23
350	350	500	870	60	27
400	400	550	970	60	31
450	450	600	1070	60	35
500	500	650	1170	60	40
600	600	750	1370	60	49
700	700	850	1570	60	62
800	800	950	1770	60	72
850	850	1000	1870	60	77