



SUPPLIERS OF PENSTOCKS TO THE WATER INDUSTRY

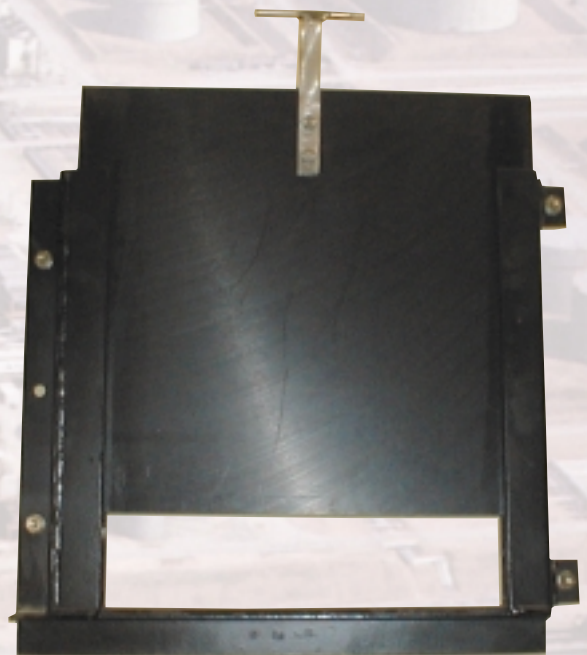
Series HS CHANNEL & WALL MOUNTING HANDSTOPS

100mm Square to 850mm Square Apertures

The series HS is a light duty range of handstops suitable for the control and isolation of water and sewage. The range of handstops are provided with side and invert seals for on and off-seating heads upto door depth (lifting handle type).

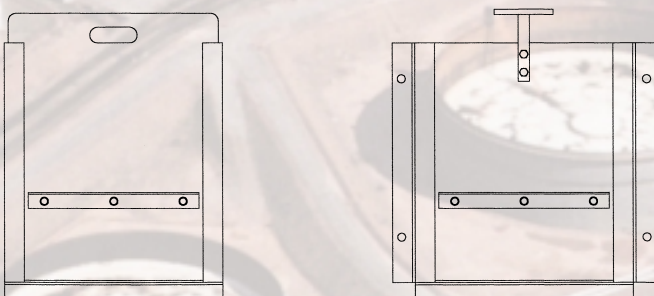
Advantages

- Lightweight design - reduced weight offers easier handling, installation and reduced civil work
- Low friction seals reduce the removal effort required
- Available as an option in corrosion resistant materials:
 - Long Life Performance
 - Low Maintenance Costs
 - No Protective Coatings Required
- Flush invert design avoids pockets in channel floor
- Compact design minimises rebates at sides and invert
- Robust construction
- A cost effective solution for high duty applications
- Reduced lead times



Features

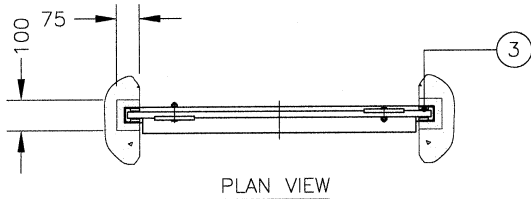
- On and off-seating heads upto top of door (lifting handle type)
- Lifting handle or lifting handhole options are available
- External door reinforcement



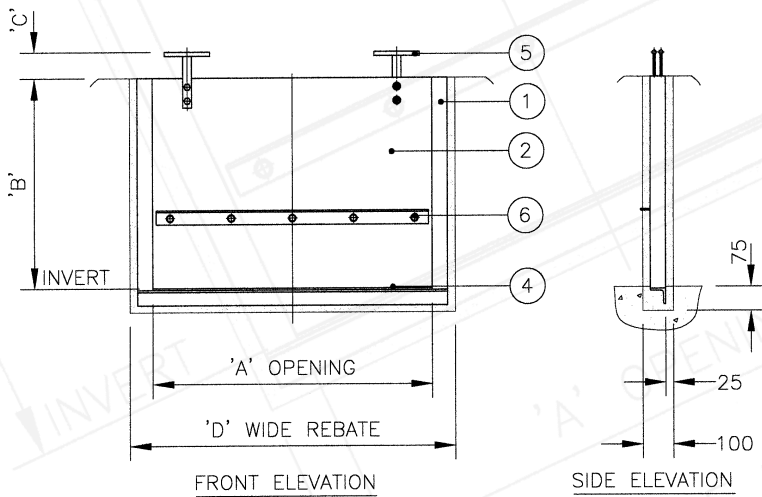
Specifications

SERIES HS CHANNEL WALL MOUNTING HANDSTOPS

Size Range: 100mm Square to 850mm Square Apertures

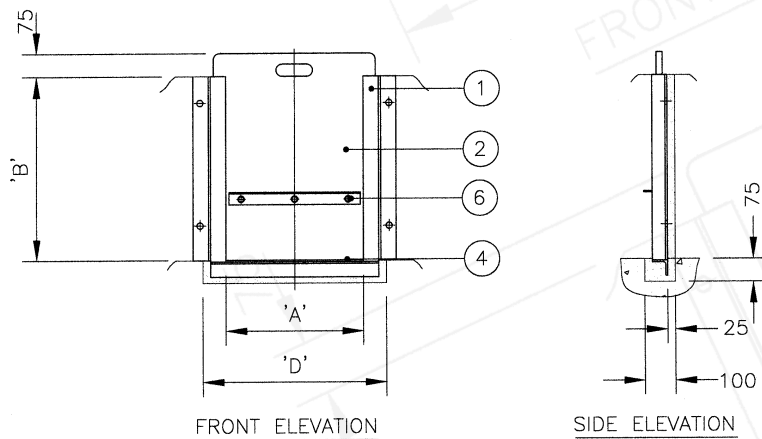


PLAN VIEW



FRONT ELEVATION

SIDE ELEVATION



FRONT ELEVATION

SIDE ELEVATION

Operating Duty

Application:	Flow control and isolation
Type of Mounting:	Wall & Channel rebates
Type of Media:	Water and Sewage
Operating Head:	Up to top of door
Direction of Flow:	On & off-seat

Options

Mounting:	Side wall Mounted in channel
Operation:	Lifting handle(s) or handholes(s)
Size Range:	Any size from 100mm to 850mm in square or rectangular format

Construction Materials

ITEM	DESCRIPTION	MATERIAL
1	Frame	Mild Steel, BS 4360 Gr 43A Stainless Steel, BS 970 Gr 304 Stainless Steel, BS 970 Gr 316
2	Door	HMWP with reinforcement
3	Side Seals	Low Friction Polyolefin
4	Invert Seal	Neoprene
5	Lifting Handle	Stainless Steel, BS 970 Gr 303 Stainless Steel, BS 970 Gr 316
6	Fasteners	Stainless Steel, BS 6105, Gr A4

Dimensions and Weights

'A'	'B'	'C'	'D'	WEIGHT (KG)
100	100	75	250	4
150	150	75	300	6
200	200	75	350	7
250	250	75	400	9
300	300	75	450	11
350	350	75	500	13
400	400	75	550	15
450	450	75	600	18
500	500	75	650	20
600	600	75	750	28
700	700	75	850	34
800	800	75	950	45
850	850	75	1000	50

The above table illustrates a small section of the size range. Any size between 100mm and 850mm is available on request.



SUPPLIERS OF PENSTOCKS TO THE WATER INDUSTRY

Midland Valves

42 Chaddesley Close | Lodge Park | Redditch | Worcestershire | B98 7ND
Tel: 01527 517542 | Fax: 01527 518087 | Email: mike@midlandvalves.fsnet.co.uk